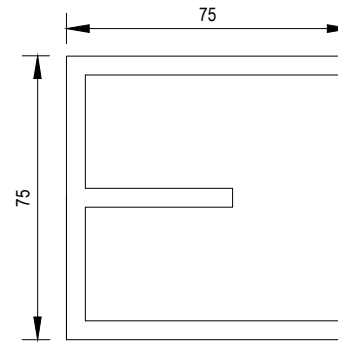
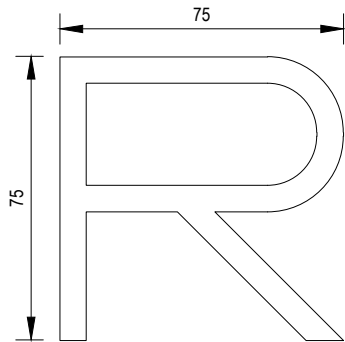


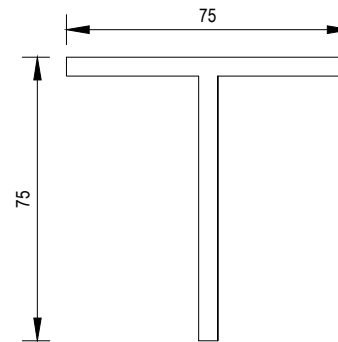
THIS SYMBOL SHALL BE MARKED ON THE FACE OF THE KERB IMMEDIATELY ABOVE THE POSITION WHERE A WATER SERVICE CONDUIT IS PLACED ACROSS THE ROADWAY.



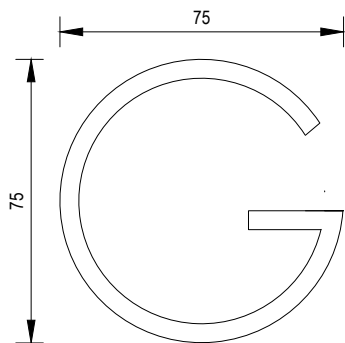
THIS SYMBOL SHALL BE MARKED ON THE FACE OF THE KERB IMMEDIATELY ABOVE THE POSITION WHERE AN ELECTRICAL SERVICE CONDUIT IS PLACED.



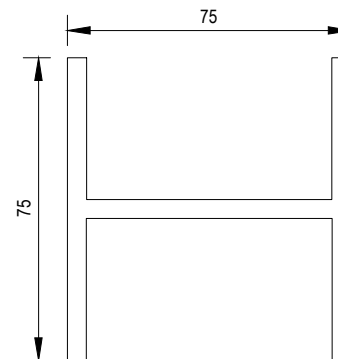
THIS SYMBOL SHALL BE MARKED ON THE FACE OF THE KERB IMMEDIATELY ABOVE THE POSITION WHERE A RECYCLED WATER SERVICE CONDUIT IS PLACED.



THIS SYMBOL SHALL BE MARKED ON THE FACE OF THE KERB IMMEDIATELY ABOVE THE POSITION WHERE A TELECOMMUNICATIONS SERVICE CONDUIT IS PLACED.



THIS SYMBOL SHALL BE MARKED ON THE FACE OF THE KERB IMMEDIATELY ABOVE THE POSITION WHERE A GAS SERVICE CONDUIT IS PLACED.



THIS SYMBOL SHALL BE MARKED ON THE FACE OF THE KERB IN LINE WITH THE POSITION WHERE A PROPERTY STORMWATER CONNECTION IS PROVIDED TO AN UNDERGROUND STORMWATER PIPE OR PIT.

NOTES:

1. WIDTH AND DEPTH OF LETTERS TO BE 2-5mm.

No	Revision	Note	Drawn	Checked	Approved	Date
0	FINAL ISSUE		DG	MM	-	16.11.15



STANDARD DRAWINGS FOR
SUBDIVISIONS IN GROWTH AREAS
KERB MARKINGS

Revision | 0
Date | DEC 2015
EDCM 303