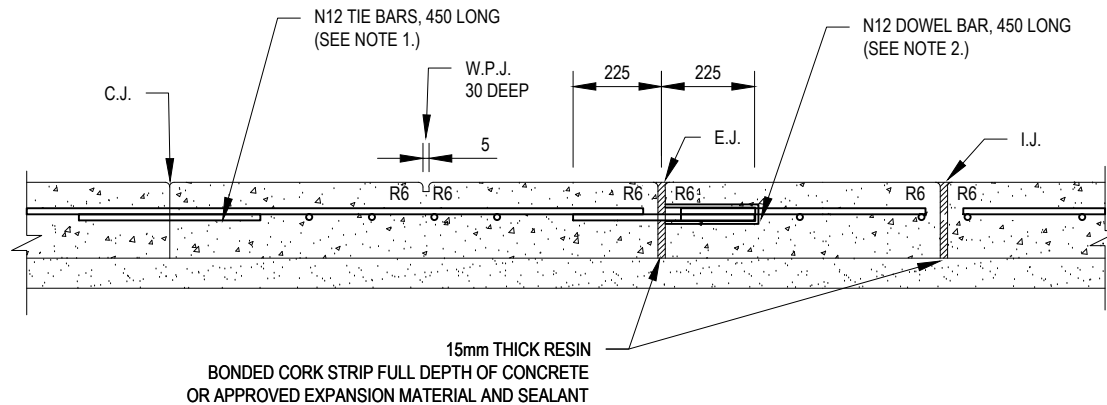


TYPICAL FOOTPATH CROSS SECTION



CONSTRUCTION JOINT (C.J.) (NOTE 1.)

CONTROL JOINT / WEAKENED PLANE JOINT (W.P.J.) (NOTE 4.)

EXPANSION JOINT (E.J.) (NOTE 2.)

ISOLATION JOINT (I.J.)

CONCRETE JOINT DETAILS

NOTES:

1. TIE BARS TO BE INSTALLED AT 400 MAXIMUM CENTRES COMMENCING 150 FROM EDGE.
2. DOWEL BARS TO BE INSTALLED AT 400 CENTRES COMMENCING AT A MINIMUM OF 100 AND A MAXIMUM OF 200 FROM THE EDGE OF PATH. 16 DIAMETER PVC SLEEVE WITH END CAP OR CLOSED END TO BE FITTED TO ONE END OF THE BAR. DOWEL BARS TO BE SECURELY TIED TO LONGITUDINAL REINFORCING MESH.
3. EXPANSION JOINTS (EJ) LOCATED BOTH SIDE OF VEHICLE CROSSING AND AT A MAXIMUM OF 12000 CENTRES.
4. WEAKENED PLANE JOINTS LOCATED AT SPACINGS EQUAL TO THE WIDTH OF THE PATH AND MADE WITH A 'T' IRON OR CONCRETE SAW CUT.
5. IN SHARED PATHS WEAKENED PLANE JOINTS MUST BE MADE BY CONCRETE SAW CUTTING.
6. CONCRETE TO BE LIGHT BROOM FINISH WITH EDGE AND JOINTS NEATLY TOOLED AFTER THE BROOM IS APPLIED.
7. ALL FINISHED SURFACES TO COMPLY WITH AS 4586 SLIP RESISTANT CLASSIFICATION OF NEW PEDESTRIAN SURFACE MATERIAL.
8. THE USE OF COLOURED CONCRETE MUST BE APPROVED BY COUNCIL. MINIMUM STRENGTH OF COLOURED CONCRETE TO BE 32 MPa.
9. FORMWORK TIMBER TO BE MIN. 125mm DEEP.
10. ALL DIMENSIONS IN MILLIMETRES.
11. SHARED PATHS TO BE 2.5m IN WIDTH MINIMUM. REFER TO APPROVED CONSTRUCTION PLANS FOR ACTUAL WIDTH.

| No | Revision | Note: * indicates signatures on original issue of drawing or last revision of drawing | Drawn | Checked | Approved | Date |
|----|-------------|---|-------|---------|----------|----------|
| 0 | FINAL ISSUE | | DG | MM | - | 16.11.15 |



STANDARD DRAWINGS FOR SUBDIVISIONS IN GROWTH AREAS
CONCRETE FOOTPATH CROSS SECTIONS AND JOINTS

Revision 0
Date DEC 2015

EDCM 401