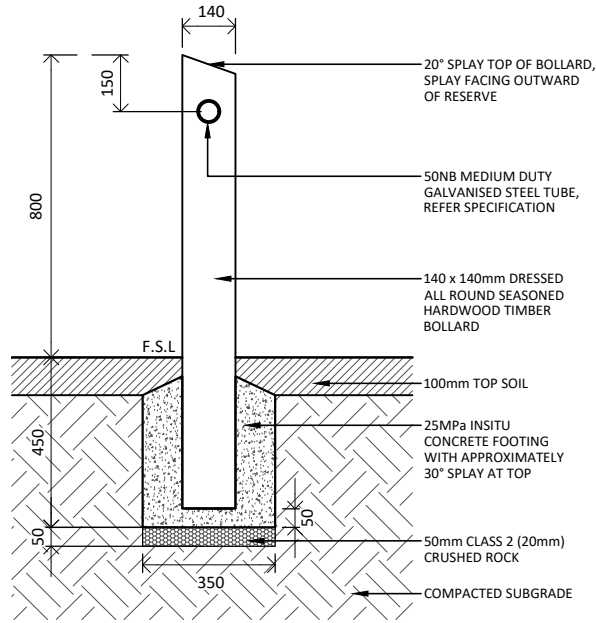


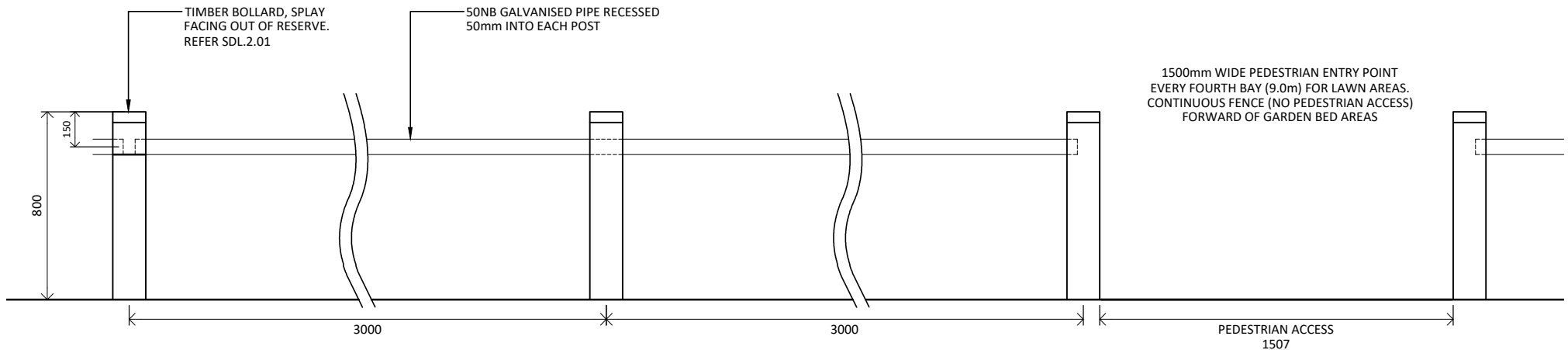
01 FIXING - PLAN
SCALE: 1:5 @ A4



02 TIMBER POST - SECTION
SCALE: 1:20 @ A4

QUICK SPECIFICATION

APPLICATION OR TYPICAL LOCATION:	PERIMETERS OF PARKS AND RESERVES. TO BE CONFIRMED WITH COUNCIL REPRESENTATIVE
PRODUCT:	140 x 140mm TIMBER BOLLARD WITH GALVANISED STEEL TUBE
SUPPLIER:	CONTRACTOR TO NOMINATE
MATERIAL AND FINISH:	POST: DRESSED ALL ROUND SEASONED HARDWOOD TIMBER OR WHITE CYPRESS PINE, NATURAL DURABILITY CLASS 2 OR BETTER 2 COATS MINIMUM OF NATURAL LANOLIN OIL. RAIL: 50NB, OD60.3mm, 3.6mm THICK MEDIUM DUTY, GALVANISED STEEL PIPE. ALL FIXINGS TO BE HOT DIP GALVANISED STEEL.
FIXING / FOOTING:	INGROUND CONCRETE FOOTING, AS DETAILED
ADDITIONAL OPTIONS:	NOT APPLICABLE
AUSTRALIAN STANDARDS:	AS 1428.1 DESIGN FOR ACCESS AND MOBILITY
STANDARD DRAWING CROSS REFERENCES:	SDL.2.01 - TIMBER BOLLARD



03 TIMBER POST AND TUBE RAIL FENCE - SECTION
SCALE: 1:25 @ A4

Drawn	HK
Checked	AC, AN
Approved	JG
Date	JUNE 2023



STANDARD DETAIL
LANDSCAPE CONSTRUCTION DETAIL

TIMBER POST AND TUBE RAIL FENCE DETAIL

DWG NO.
SDL.2.06

REVISION_A