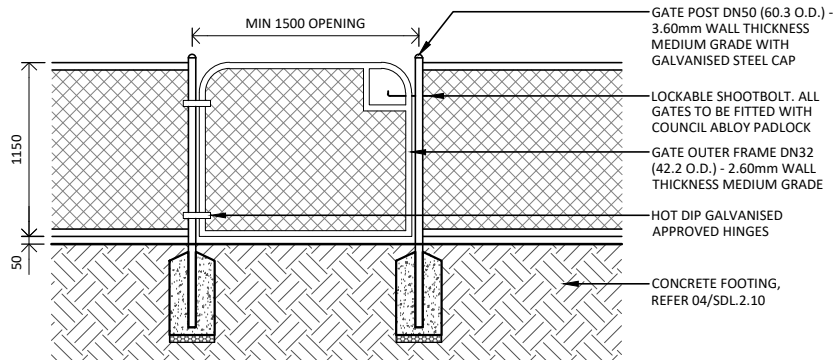


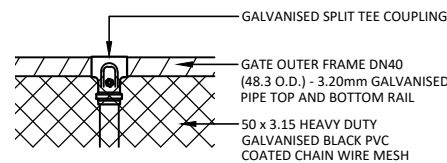
01 GALVANISED POST AND CHAIN WIRE PEDESTRIAN/SPORTS FENCE - SECTION  
SCALE: 1:50 @ A4

### QUICK SPECIFICATION

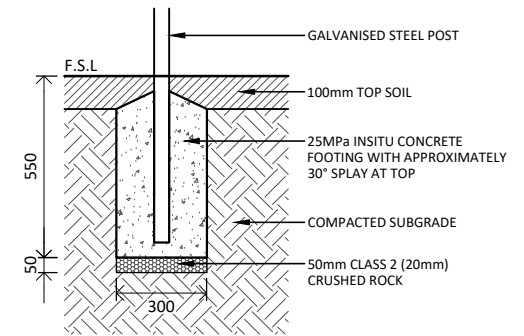
APPLICATION OR TYPICAL LOCATION:	TO BE CONFIRMED WITH COUNCIL REPRESENTATIVE
PRODUCT:	1200mm HIGH BLACK PVC COATED CHAIN MESH WIRE FENCE
SUPPLIER:	CONTRACTOR TO NOMINATE
MATERIAL AND FINISH:	GATE POST: DN50 (3.60mm) INTERMEDIATE POST: DN40 (3.20mm) TOP AND BOTTOM FRAME: DN40 (3.20mm) GATE FRAME: DN32 (2.60mm)  RAILS: GALVANISED STEEL, POWDERCOATED BLACK  CHAIN WIRE MESH: 50 x 3.15 HEAVY DUTY GALVANISED STEEL WITH PVC COATING. ALL DAMAGED GALVANISED SURFACES TO BE APPROPRIATELY TREATED WITH A ZINC RICH COLD GALVANISED PAINT (STRAMIT ZAM OR EQUAL) AND BLACK EPOXY ENAMEL TO MATCH POWDERCOATING.
FIXING / FOOTING:	INGROUND CONCRETE FOOTING ALL FIXINGS TO BE LOCATED ON THE OUTSIDE OF THE FENCE (IE. NUTS AND SCREWS)
ADDITIONAL OPTIONS:	NOT APPLICABLE
AUSTRALIAN STANDARDS:	AS 1725.5 SPORTS GROUND FENCING GENERAL REQUIREMENTS
STANDARD DRAWING CROSS REFERENCES:	



02 GATE - SECTION  
SCALE: 1:50 @ A4



03 SPLIT TEE INTERMEDIATE POST - SECTION  
SCALE: 1:20 @ A4



04 POST FOOTING - SECTION  
SCALE: 1:25 @ A4

Drawn	HK
Checked	AC, AN
Approved	JG
Date	JUNE 2023



STANDARD DETAIL  
LANDSCAPE CONSTRUCTION DETAIL

### POST AND CHAIN WIRE PEDESTRIAN/SPORTS FENCE DETAIL

DWG NO.  
**SDL.2.10**

REVISION\_A