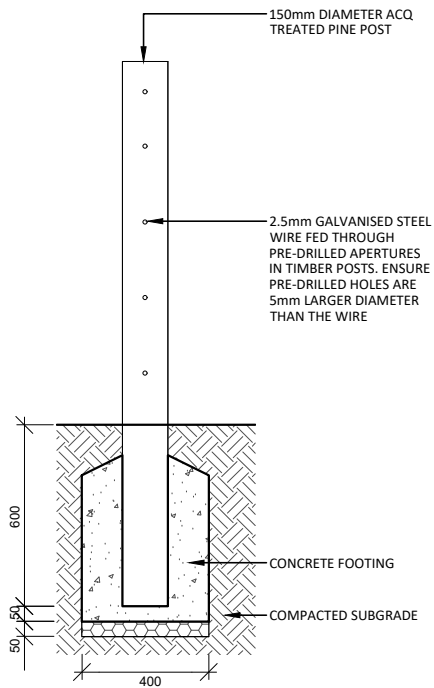


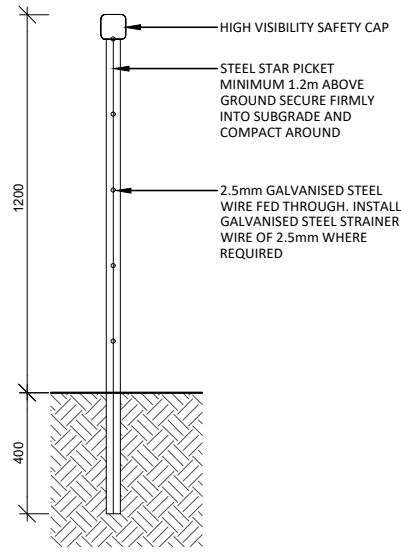
### QUICK SPECIFICATION

APPLICATION OR TYPICAL LOCATION:	TO BE CONFIRMED WITH COUNCIL REPRESENTATIVE
PRODUCT:	1200mm HIGH HOT DIPPED GALVANISED HIGH TENSILE WIRE FENCING
SUPPLIER:	CONTRACTOR TO NOMINATE
MATERIAL AND FINISH:	POSTS: ACQ TREATED PINE POST PICKETS: STEEL STAR PICKET FENCING: HOT DIPPED GALVANISED HIGH TENSILE FENCING WIRE
FIXING / FOOTING:	INGROUND CONCRETE FOOTING
ADDITIONAL OPTIONS:	NOT APPLICABLE
AUSTRALIAN STANDARDS:	
STANDARD DRAWING CROSS REFERENCES:	

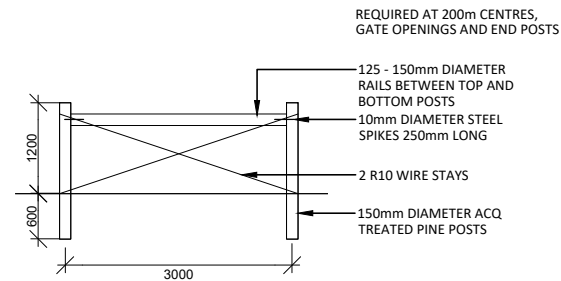
**01** TEMPORARY FARM FENCING - SECTION  
SCALE: 1:75 @A4



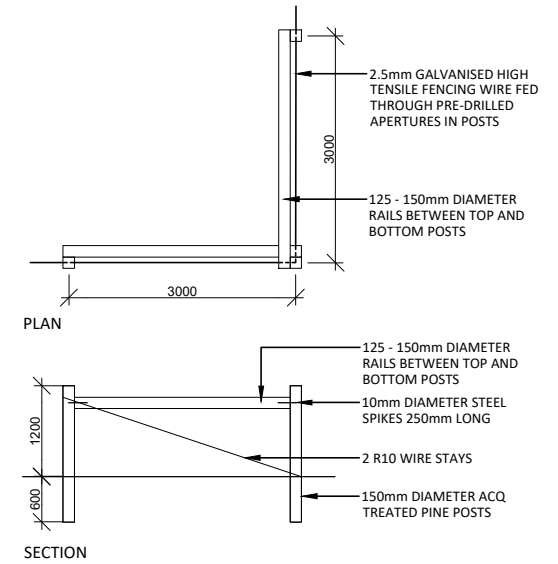
**02** POST - SECTION  
SCALE: 1:100 @A4



**03** STEEL STAR PICKET MID POST - SECTION  
SCALE: 1:100 @A4



**04** STRAINING POST ASSEMBLY - SECTION  
SCALE: 1:100 @A4



**05** STRAINING CORNER POST ASSEMBLY - SECTION  
SCALE: 1:100 @A4



STANDARD DETAIL  
LANDSCAPE CONSTRUCTION DETAIL  
**TEMPORARY FARM FENCING DETAIL**

DWG NO.  
**SDL.2.12**

REVISION\_A

Drawn	HK
Checked	AC, AN
Approved	JG
Date	JUNE 2023