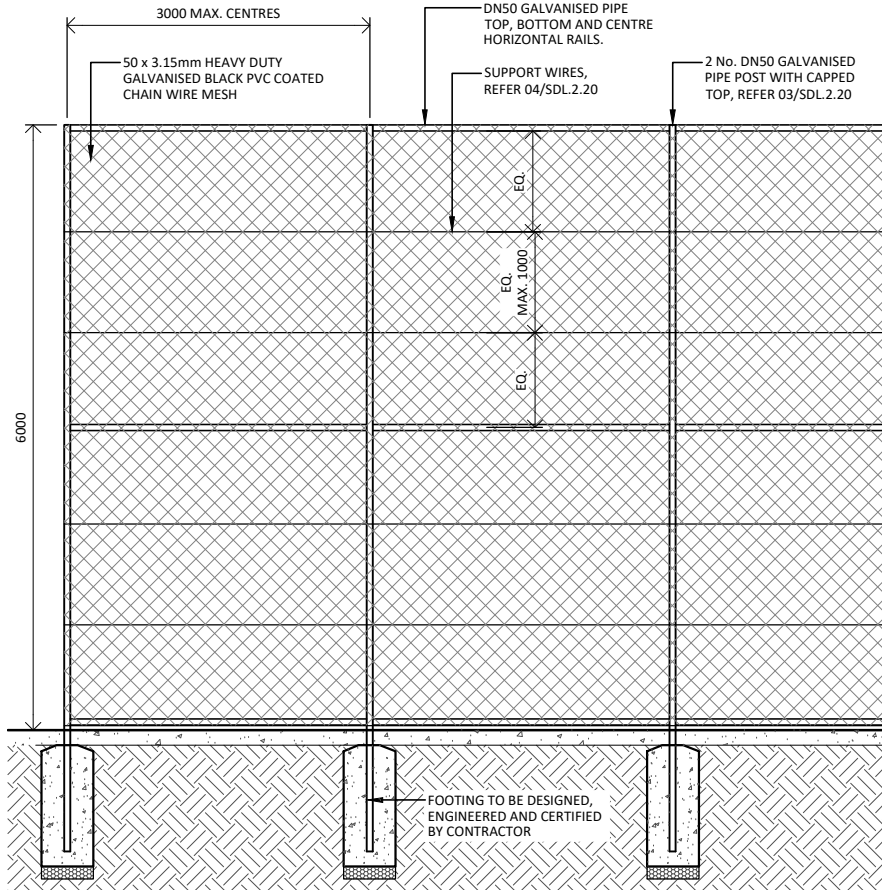
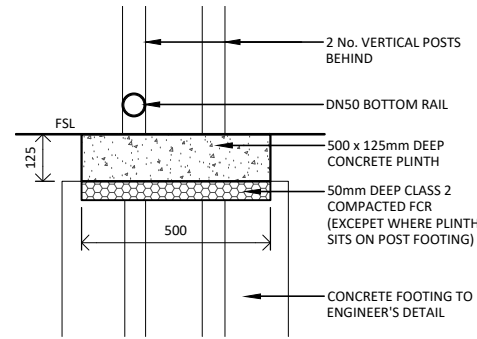


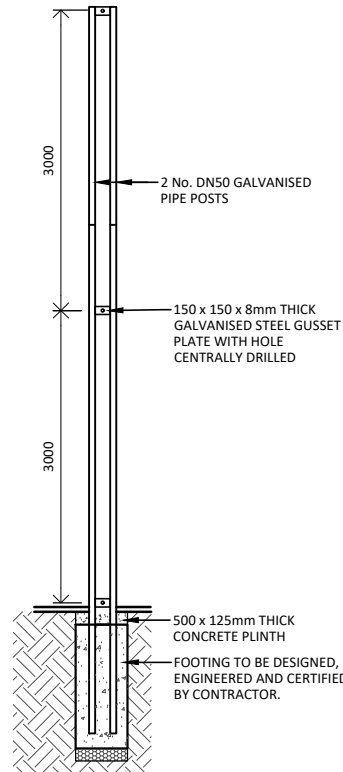
NOTE: ALL BALL CATCHING FENCES TO BE DESIGNED AND ENGINEERED IN ACCORDANCE WITH SITE SPECIFIC GEOTECHNICAL RECOMMENDATIONS.



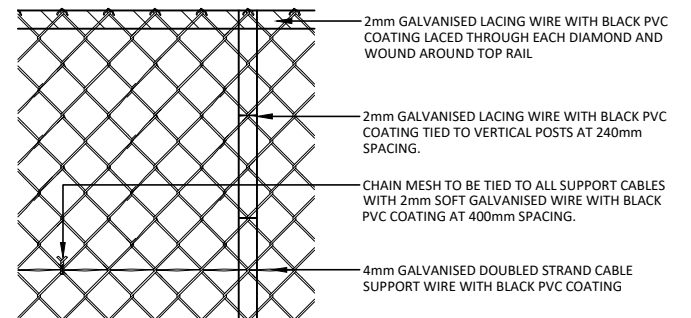
01 POST AND CHAIN MESH BALL CATCHING FENCE - SECTION
SCALE: 1:75 @ A4



02 CONCRETE PLINTH - SECTION
SCALE: 1:75 @ A4



03 BALL CATCHING FENCE POST - SECTION
SCALE: 1:75 @ A4



04 CHAIN MESH WIRE CABLE AND SUPPORT WIRES
SCALE: 1:25 @ A4

QUICK SPECIFICATION

APPLICATION OR TYPICAL LOCATION:	TO BE CONFIRMED WITH COUNCIL REPRESENTATIVE
PRODUCT:	6000mm HIGH BLACK PVC COATED CHAIN WIRE MESH FENCE
SUPPLIER:	CONTRACTOR TO NOMINATE
MATERIAL AND FINISH:	POSTS: DN50 (60.3 O.D.) x 3.6mm GALVANISED STEEL PIPE WITH GLOSS BLACK POWDERCOAT RAILS: DN50 (60.3 O.D.) x 3.6mm GALVANISED STEEL PIPE WITH GLOSS BLACK POWDERCOAT CHAIN WIRE MESH: 50 x 3.15 HEAVY DUTY GALVANISED STEEL WITH BLACK PVC COATING
FIXING / FOOTING:	INGROUND CONCRETE FOOTING
ADDITIONAL OPTIONS:	NOT APPLICABLE
AUSTRALIAN STANDARDS:	AS 1725.5 CHAIN LINK FABRIC FENCING SPORTS GROUND FENCING
STANDARD DRAWING CROSS REFERENCES:	



STANDARD DETAIL
LANDSCAPE CONSTRUCTION DETAIL

POST AND CHAIN MESH BALL CATCHING FENCE DETAIL

DWG NO.
SDL.2.17

REVISION_A

Drawn	HK
Checked	AC, AN
Approved	JG
Date	JUNE 2023