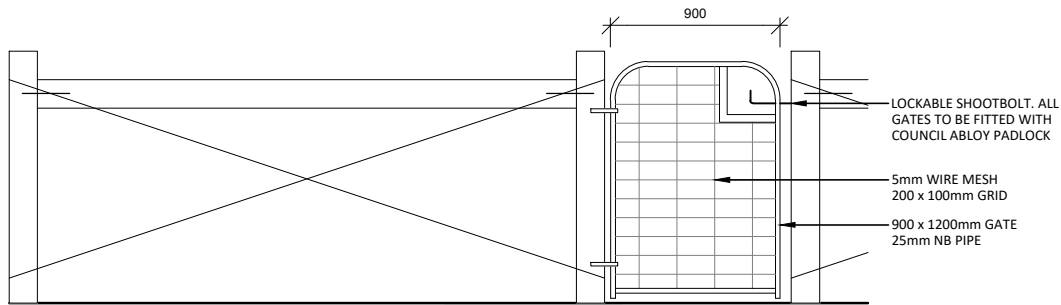
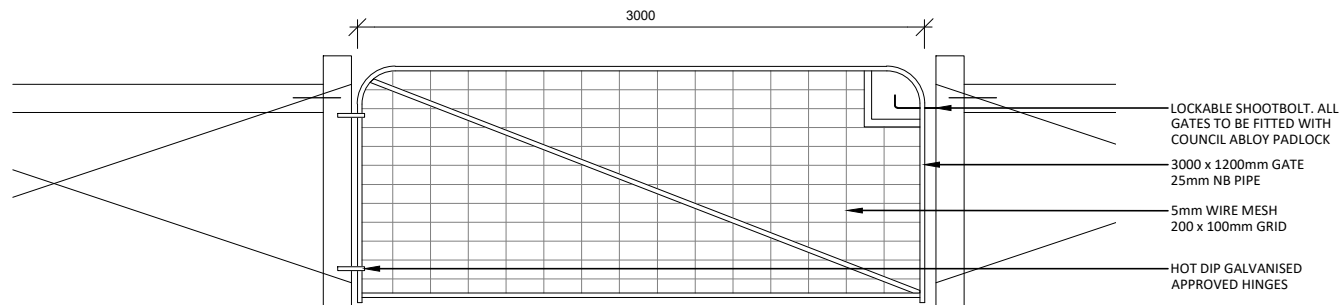


QUICK SPECIFICATION

APPLICATION OR TYPICAL LOCATION:	PERIMETERS OF PARKS AND RESERVES. TO BE CONFIRMED WITH COUNCIL REPRESENTATIVE
PRODUCT:	1200mm HIGH GATE
SUPPLIER:	CONTRACTOR TO NOMINATE
MATERIAL AND FINISH:	GATE (PEDESTRIAN): 900 x 1200mm, 25mm NB PIPE GATE (VEHICLE): 3000 x 1200mm GATE 25mm NB PIPE MESH: 5mm WIRE MESH 200 x 100mm GRID
FIXING / FOOTING:	HOT DIP GALVANISED APPROVED HINGES
ADDITIONAL OPTIONS:	NOT APPLICABLE
AUSTRALIAN STANDARDS:	
STANDARD DRAWING	
CROSS REFERENCES:	



01 PEDESTRIAN ACCESS GATE - SECTION
SCALE: 1:40 @ A4



02 VEHICLE ACCESS GATE - SECTION
SCALE: 1:40 @ A4

Drawn	HK
Checked	AC, AN
Approved	JG
Date	JUNE 2023



STANDARD DETAIL
LANDSCAPE CONSTRUCTION DETAIL

PEDESTRIAN AND VEHICLE ACCESS GATE DETAIL

DWG NO.
SDL.2.18

REVISION_A