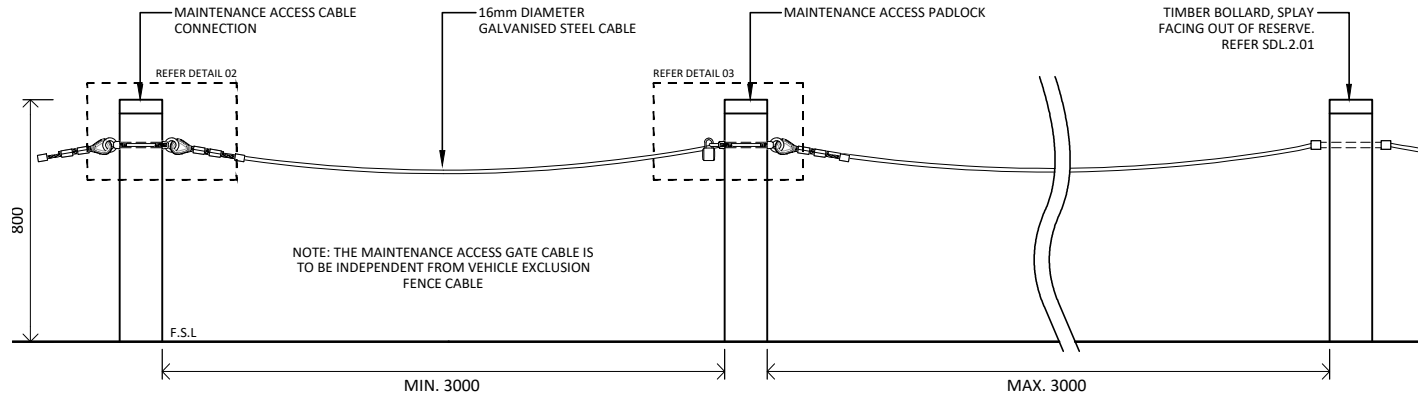
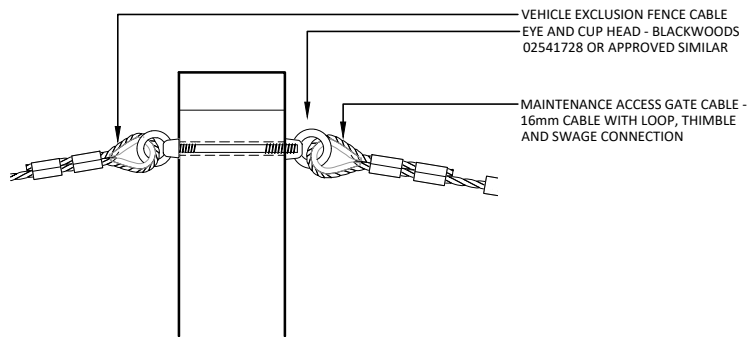


QUICK SPECIFICATION

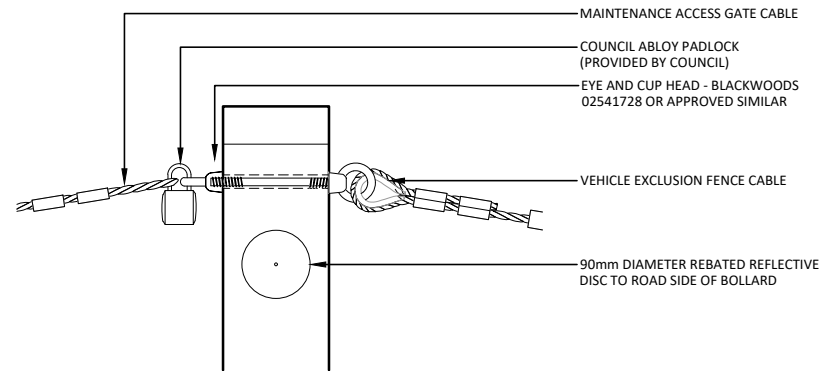
APPLICATION OR TYPICAL LOCATION:	PERIMETERS OF PARKS AND RESERVES. TO BE CONFIRMED WITH COUNCIL REPRESENTATIVE
PRODUCT:	CABLE MAINTENANCE ACCESS GATE
SUPPLIER:	CONTRACTOR TO NOMINATE
MATERIAL AND FINISH:	EYE AND CUP HEAD: BLACKWOODS 02541728 OR APPROVED SIMILAR CABLE: 16mm GALVANISED STEEL CABLE DISC: 90mm DIAMETER REBATED REFLECTIVE DISC
FIXING / FOOTING:	NOT APPLICABLE
ADDITIONAL OPTIONS:	NOT APPLICABLE
AUSTRALIAN STANDARDS:	
STANDARD DRAWING	SDL.2.01 - TIMBER BOLLARD
CROSS REFERENCES:	SDL.2.05 - TIMBER POST AND CABLE FENCE



01 POST AND CABLE - SECTION
SCALE: 1:25 @ A4



02 MAINTENANCE ACCESS CABLE CONNECTION - SECTION
SCALE: 1:25 @A4



03 MAINTENANCE ACCESS PADLOCK - SECTION
SCALE: 1:25 @A4



STANDARD DETAIL
LANDSCAPE CONSTRUCTION DETAIL
CABLE MAINTENANCE ACCESS GATE DETAIL

DWG NO.
SDL.2.22

REVISION_A

Drawn	HK
Checked	AC. AN
Approved	JG
Date	JUNE 2023