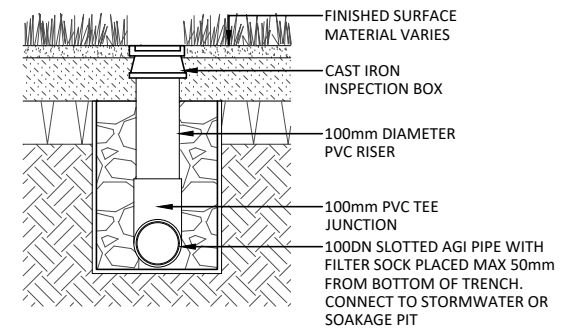
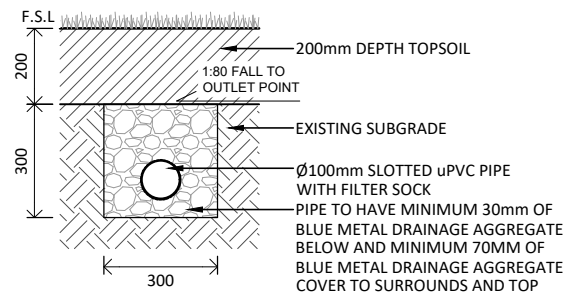
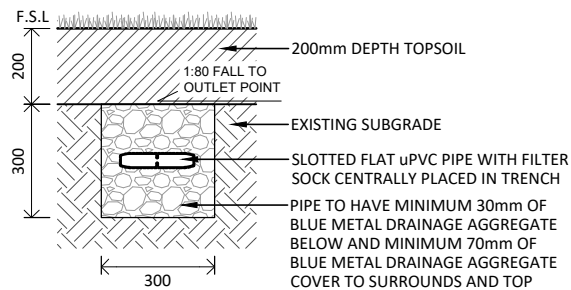


## QUICK SPECIFICATION

APPLICATION OR TYPICAL LOCATION:	SUBSOIL DRAINAGE IN PARKS AND PLAYGROUNDS, AS DIRECTED BY THE COUNCIL REPRESENTATIVE.
PRODUCT:	NOT APPLICABLE
SUPPLIER:	NOT APPLICABLE
MATERIAL AND FINISH:	Ø100mm SLOTTED uPVC PIPE WITH FILTER SOCK SLOTTED FLAT uPVC PIPE WITH FILTER SOCK CENTRALLY PLACED IN TRENCH
FIXING / FOOTING:	NOT APPLICABLE
ADDITIONAL OPTIONS:	NOT APPLICABLE
AUSTRALIAN STANDARDS:	
STANDARD DRAWING CROSS REFERENCES:	



01 FLAT AGI DRAINAGE PIPE - SECTION  
SCALE: 1:20 @ A4

02 AGI DRAINAGE PIPE - SECTION  
SCALE: 1:20 @ A4

03 AGI INSPECTION/ FLUSH - SECTION  
SCALE: 1:20 @ A4



STANDARD DETAIL  
LANDSCAPE CONSTRUCTION DETAIL

### AGRICULTURAL DRAINAGE PIPE DETAIL

DWG NO.  
**SDL.4.03**

REVISION\_A

Drawn	HK
Checked	AC, AN
Approved	JG
Date	JUNE 2023