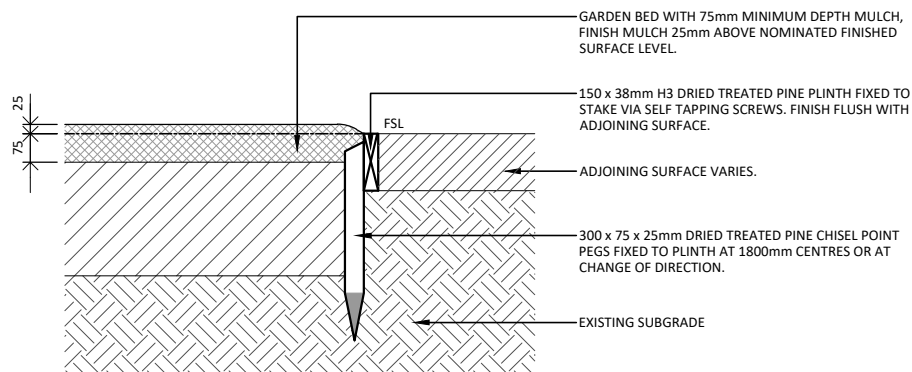


QUICK SPECIFICATION

APPLICATION OR TYPICAL LOCATION:	GARDEN BED EDGING IN PARKS AND PUBLIC SPACES. TO BE CONFIRMED WITH COUNCIL REPRESENTATIVE.
PRODUCT:	150 x 38mm H3 (MIN.) DRIED TREATED PINE PLINTH
SUPPLIER:	CONTRACTOR TO NOMINATE
MATERIAL AND FINISH:	DRESSED ALL ROUND SEASONED HARDWOOD TIMBER, NATURAL DURABILITY CLASS 2 OR BETTER 2 COATS MINIMUM OF NATURAL LANOLIN OIL
FIXING / FOOTING:	300 x 75 x 25mm DRIED TREATED PINE CHISEL POINT PEG, AS DETAILED
ADDITIONAL OPTIONS:	NOT APPLICABLE
AUSTRALIAN STANDARDS:	
STANDARD DRAWING CROSS REFERENCES:	



01 TIMBER EDGE - SECTION
SCALE: 1:20 @ A4

Drawn	HK
Checked	AC, AN
Approved	JG
Date	JUNE 2023



STANDARD DETAIL
LANDSCAPE CONSTRUCTION DETAIL

TIMBER EDGE DETAIL

DWG NO.
SDL.5.02

REVISION_A