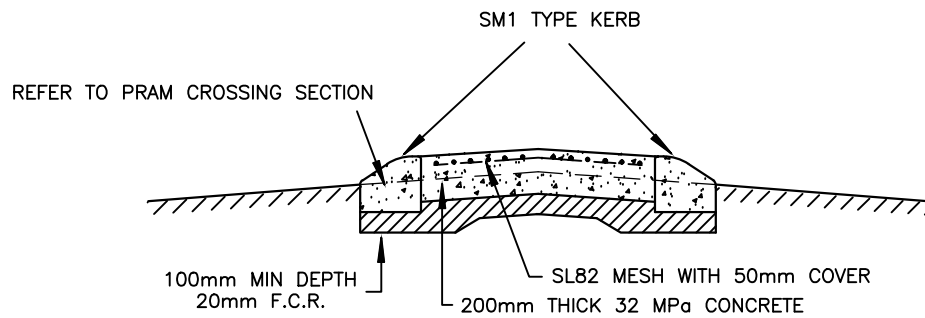
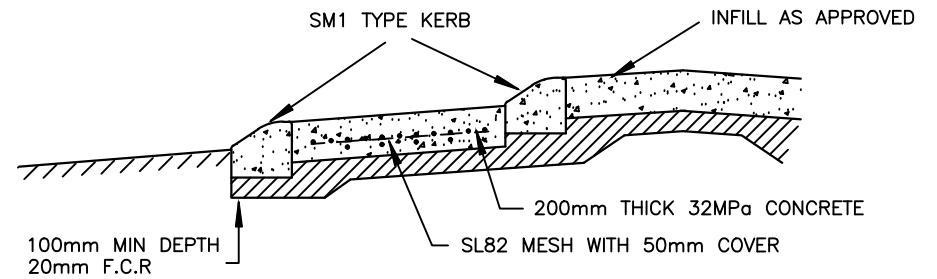


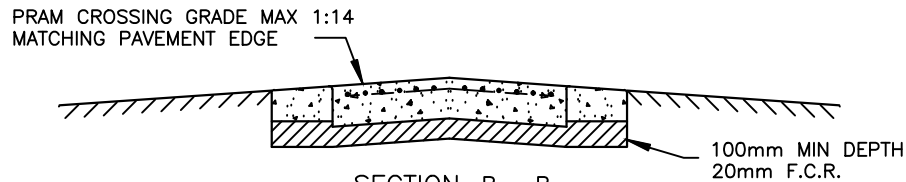
LONGITUDINAL SECTION ALONG APPROACH CENTRELINE



SECTION A - A



TYPICAL CENTRAL ISLAND DETAIL



SECTION B - B

TYPICAL SPLITTER ISLAND WITH PRAM CROSSING DETAIL

NOTES

1. SUBGRADE TO BE APPROVED BY SUPERINTENDENT.
2. ALL ASSOCIATED SIGNAGE AND LINE MARKING TO BE DESIGNED IN ACCORDANCE WITH AS 1742 AND VICROADS TEM.
3. FOR ISLAND DIMENSIONS AND LOCATION, REFER TO CONSTRUCTION DRAWINGS.



City of Whittlesea

TYPICAL ISLAND PROFILES

SD 620

APPROVED:

DATE: 17/06/2014

REV: A