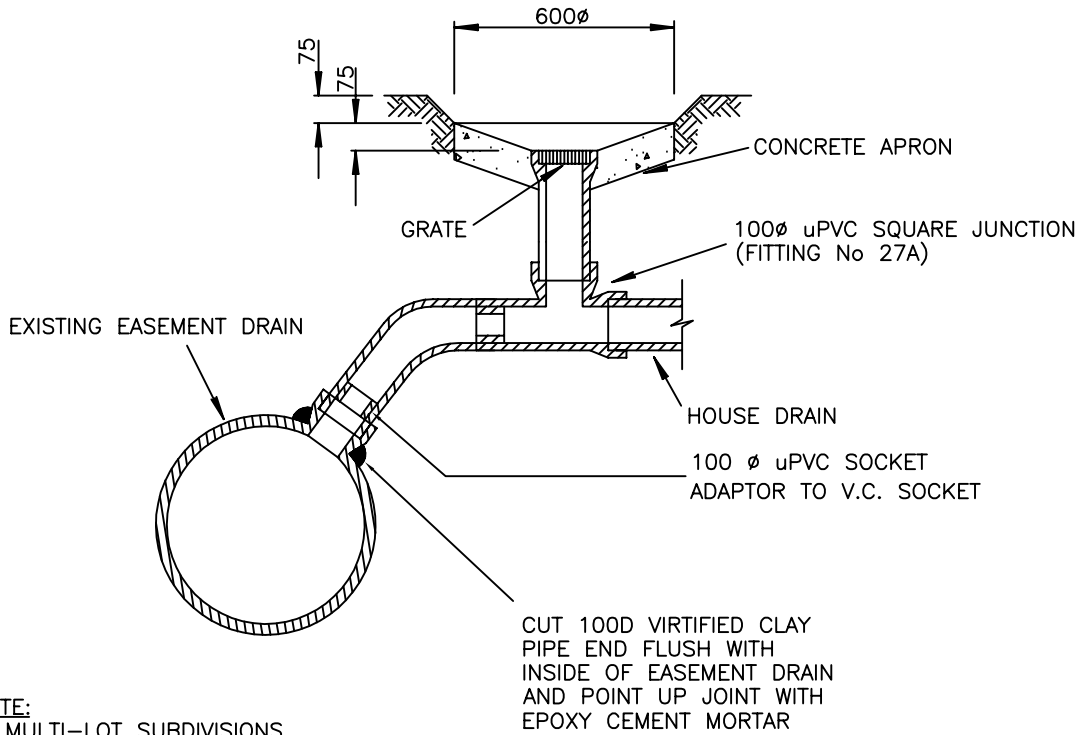
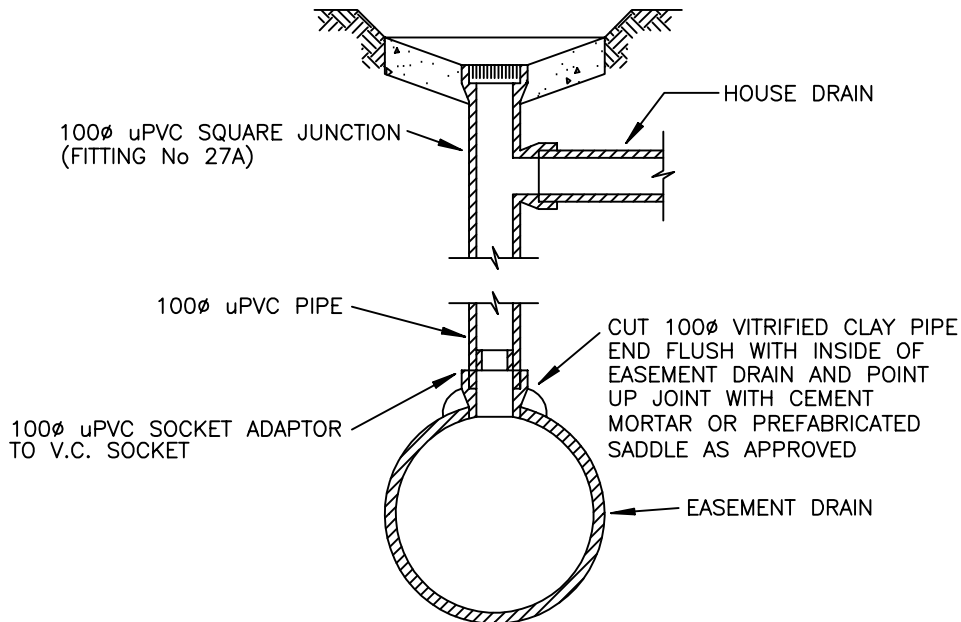



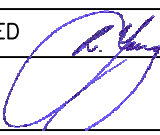
For Use With Special Approval Only
(To suit existing conditions)



NOTE:
IN MULTI-LOT SUBDIVISIONS
A ϕ 100mm PVC RISER WITH
SCREW CAP MAY BE USED



NOTE:
IN MULTI-LOT SUBDIVISIONS
A ϕ 100mm PVC RISER WITH
SCREW CAP MAY BE USED

	City of Whittlesea	
EASEMENT DRAIN PROPERTY INLET		SD 215
APPROVED 	REV. DATE 30/03/2003	REV A