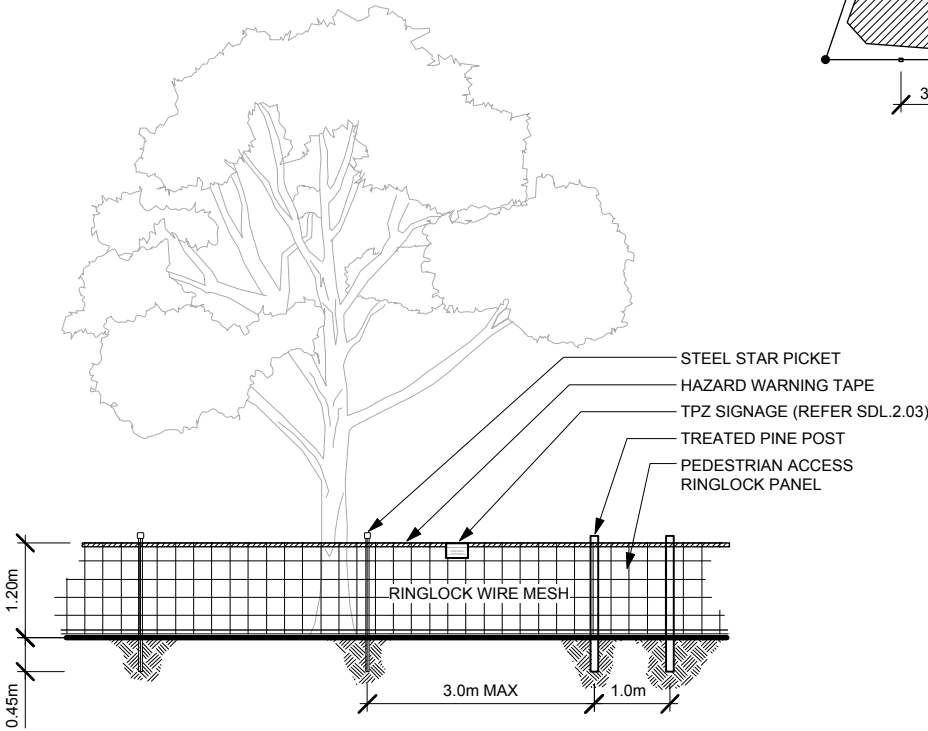
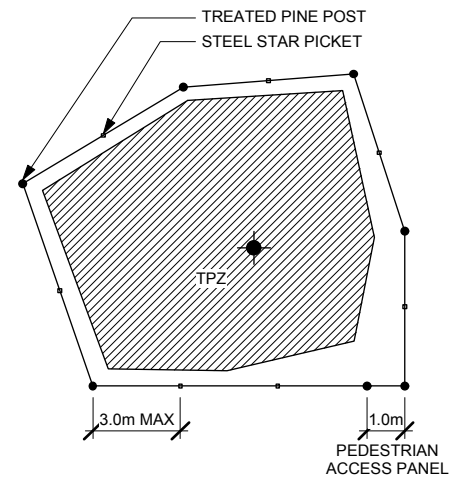


LAYOUT PLAN - MULTIPLE TEMPORARY TPZ



ELEVATION - TEMPORARY TREE PROTECTION FENCING



LAYOUT PLAN - SINGLE TEMPORARY TPZ



NOTES:

1. 100mm treated pine posts at each corner, change of direction or at a maximum intervals of 9.0m with necessary stays.
2. Intermediate posts to be steel star pickets at maximum 3.0m intervals with high visibility capping.
3. Ringlock mesh to be firmly secured to the outside of each post including pedestrian access panel with wire ties.
4. Treated pine posts must be sunk into the ground to a minimum depth of 0.45m without concrete footings.
5. Hazard marker tape or approved similar is to be firmly secured to the top of the ringlock mesh with wire ties.
6. Ground surfaces within tree protection zones shall be left intact and a Glyphosate based herbicide mixed in accordance with the manufacturer's recommendations used to remove any weeds or unwanted vegetation.
7. The area within the exclusion zone must be mulched with wood chips or mulch to a depth of 150mm.
8. Tree protection fence is to be constructed outside of the TPZ and the survey pegs defining the TPZ are to be preserved at all times.
9. Tree protection fencing shall remain in place until removal is approved by Parks and Open Space.