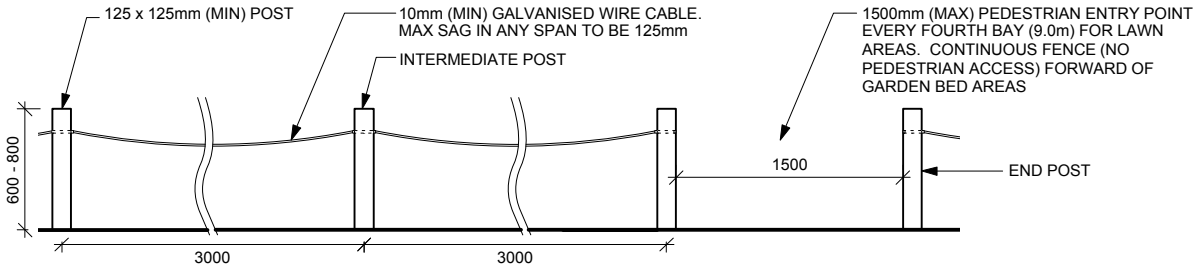
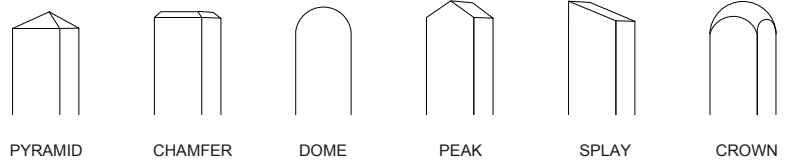
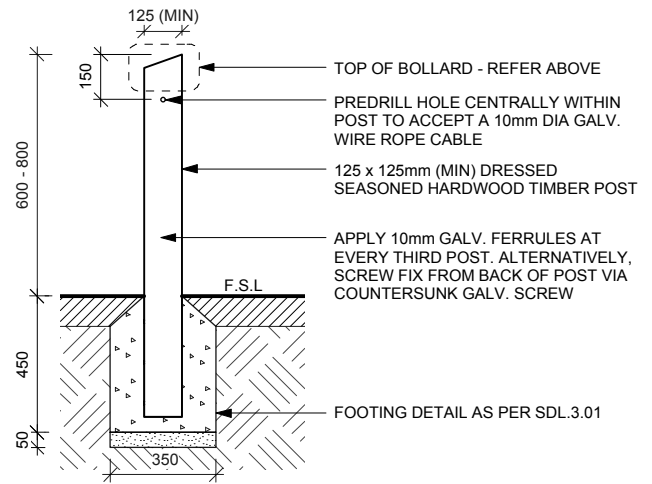
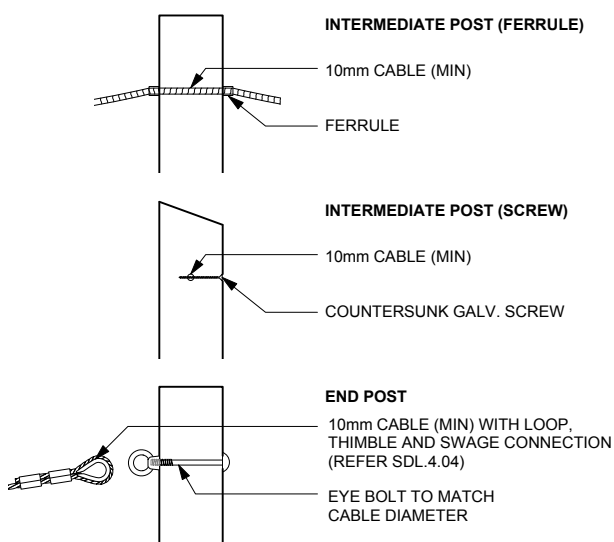


# Timber Post and Cable Fence



**ELEVATION - TIMBER POST AND CABLE FENCE SPACING**



**SECTION - TIMBER POST AND CABLE**



**NOTES:**

1. As a minimum, posts should be 125mm X 125mm in width, (400mm below ground and 600 - 800mm above ground).
2. As a minimum, posts must be dressed seasoned hardwood with a Natural Durability Class of 2 or better. All timber must be straight, clean and free of defects.
3. Concrete footings shall be nominally 350mm X 350mm in width and 450mm in height. Concrete footings must be 25MPa as a minimum and include a gentle splay (MIN 30 degrees) away from the upright.
4. Footings for larger bollards to be reviewed on a case by case basis.
5. Bollards must be painted or stained with reapplication every 18 months or as required.
6. Maximum spacing between posts is 3000mm.
7. All steel components (including fasteners, fixings and cables) shall be hot dip galvanised.
8. 10mm galvanised wire cable minimum (7 strand - 7 wire).

## STANDARD DETAIL

PARKS & OPEN SPACE LANDSCAPE CONSTRUCTION DETAILS

Date: 3 November 2014  
Revision: A

SDL.3.05