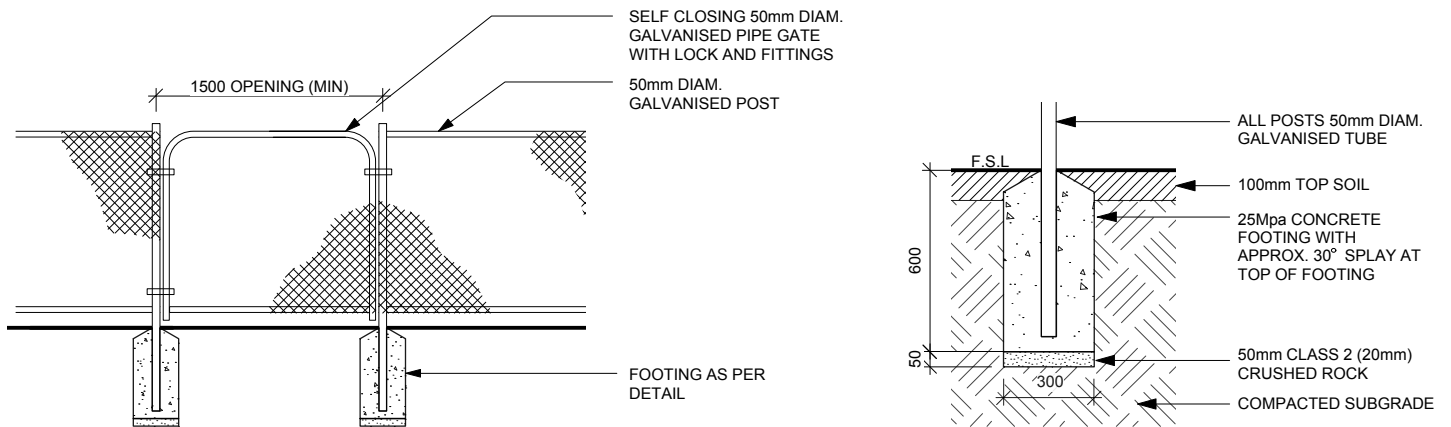


ELEVATION - BARRIER FENCE DETAIL

ELEVATION - SPLIT TEE COUPLING DETAIL



ELEVATION - GATE DETAIL

SECTION - CONCRETE FOOTING DETAIL



NOTES:

As a minimum standard, barrier fencing shall:

1. Have a nominal height of 1350mm above ground level and be black in colour.
2. Comprise 50mm galvanised chain wire mesh 1200mm in height. The mesh shall be specified as 3.15mm heavy galvanised wire with black pvc coating. The mesh shall be installed 100mm above the existing ground level.
3. Comprise 50mm diameter galvanised tube uprights spaced at 2.4 metre centres (nominal). All uprights shall include galvanised end caps.
4. Comprise 50mm diameter galvanised tube horizontal rails at the top and bottom. The chain mesh shall be tied to the rails via continuous length of 2mm soft galvanised fencing wire.
5. Horizontal rails shall be securely fixed to the uprights via galvanised split tee couplings.
6. Comprise concrete footings nominally 300mm X 300mm in width and 600mm in height installed on a 50mm bed of class 2 (20mm) crushed rock. Concrete shall be 25MPa minimum. The top of the concrete footing must include a gentle splay (30 degrees minimum) running away from the upright.
7. All damaged galvanised surfaces to be appropriately treated with a zinc rich cold galvanised paint (Stramit Zam or equal).
8. All gates to be fitted with Council Abloy padlock.

STANDARD DETAIL

PARKS & OPEN SPACE LANDSCAPE CONSTRUCTION DETAILS

Date: 3 November 2014
Revision: A

SDL.3.15